

PRODUCT INFORMATION PACKET

Model No: 145TTFR16059

Catalog No: GT3004

1.50 HP Close-Coupled Pump Motor, 3 phase, 1800 RPM, 200 V, 145JMV Frame, TEFC
JM Motors



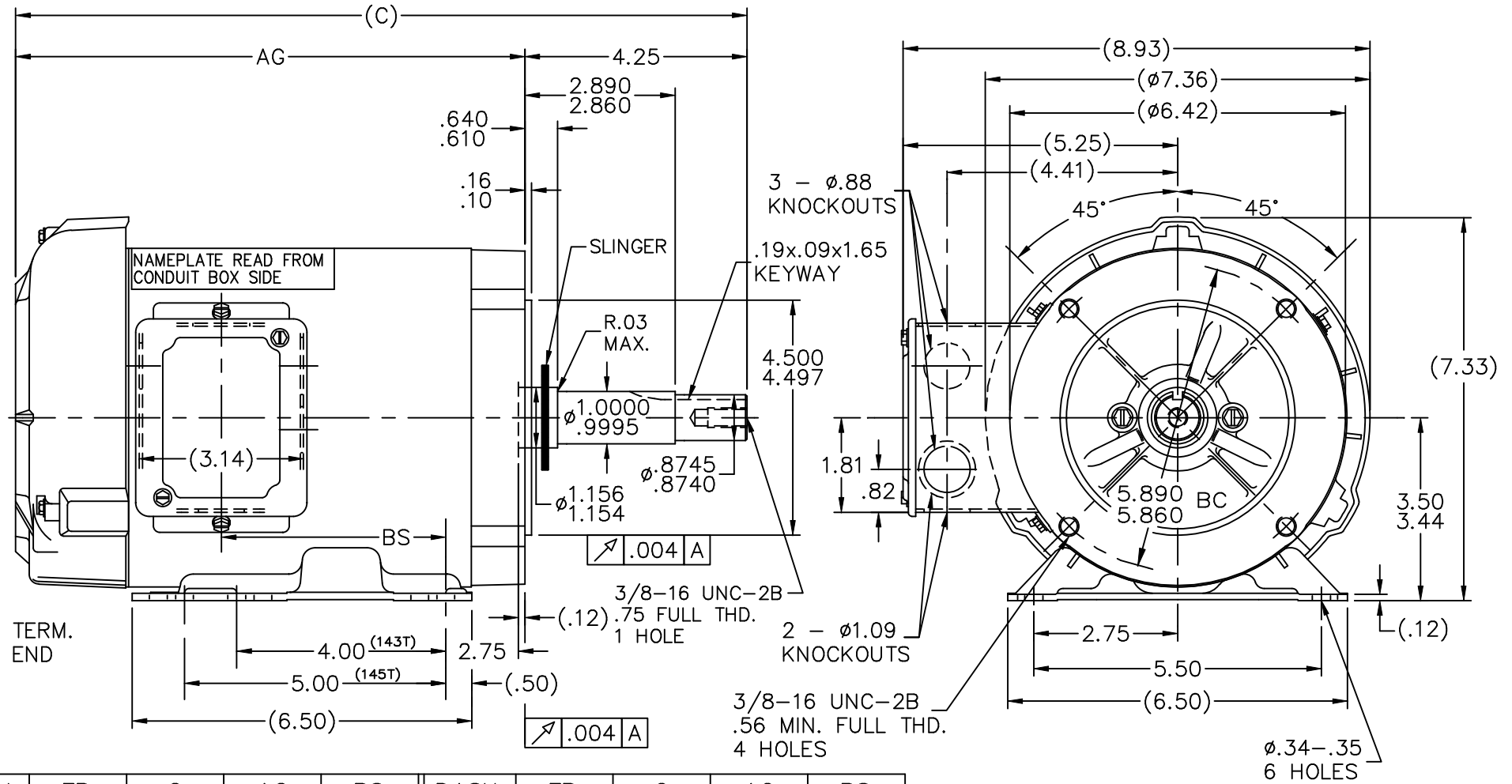
Nameplate Specifications

Output HP	1.50 Hp	Output KW	1.1 kW
Frequency	60 Hz	Voltage	200 V
Current	5.3 A	Speed	1755 rpm
Service Factor	1.15	Phase	3
Efficiency	86.5 %	Power Factor	71
Duty	Continuous	Insulation Class	F
Design Code	A	KVA Code	P
Frame	145JMV	Enclosure	Totally Enclosed Fan Cooled
Thermal Protection	No	Ambient Temperature	40 °C
Drive End Bearing Size	6206	Opp Drive End Bearing Size	6203
UL	Recognized	CSA	Y
CE	Y	IP Code	43

Technical Specifications

Electrical Type	Squirrel Cage Inverter Rated	Starting Method	Line Or Inverter
Poles	4	Rotation	Reversible
Resistance Main	7.9 Ohms	Mounting	Rigid base
Motor Orientation	Horizontal Or Shaft Down	Drive End Bearing	Ball
Opp Drive End Bearing	Ball	Frame Material	Rolled Steel
Shaft Type	JM	Overall Length	16.50 in
Frame Length	9.06 in	Shaft Diameter	0.875 in
Shaft Extension	4.25 in	Assembly/Box Mounting	F1 ONLY
Connection Drawing	A-EE7300	Outline Drawing	A-100133-906

This is an uncontrolled document once printed or downloaded and is subject to change without notice. Date Created:18/06/2020



DASH	FR	C	AG	BS	DASH	FR	C	AG	BS
706	140T	14.50	10.25	3.44	856	140T	16.00	11.75	4.94
756	140T	15.00	10.75	3.94	906	140T	16.50	12.25	5.44
806	140T	15.50	11.25	4.44	956	140T	17.00	12.75	5.94

NOTE:
'C' BOX CAN BE ROTATED 180°

		TOLERANCES UNLESS SPECIFIED		MARATHON ELECTRIC		DRAWN MRB 12-20-1994	
		DEC.	INCHES			CHK	ML 12-21-1994
		.X	±.1			APPD	GK 12-21-1994
		.XX	±.03	TITLE OUTLINE JM EXT.		SCALE	11=32
7	REDRAWN IN AUTOCAD	TAT 07-06-2004	ML .XXX	±.005	140 FR. - TEFC - 355C - BB - 'C' FACE		REF
6	REDRAWN ON CADD	MRB 12-21-1994	.XXXX	±.0005	MAT'L.		FMF
NO.	REVISION	BY & DATE	CHK	ANG	±7'30"	FINISH	PREV
THIS DRAWING IN DESIGN AND DETAIL IS OUR PROPERTY AND MUST NOT BE USED EXCEPT IN CONNECTION WITH OUR WORK ALL RIGHTS OF DESIGN AND INVENTION ARE RESERVED THIS IS AN ELECTRONICALLY GENERATED DOCUMENT - DO NOT SCALE THIS PRINT				RFP	CAD FILE 100133	SIZE	DRAWING NO. PAGE OF REV.
				DIST WP		A	100133 7

**THREE PHASE - SINGLE VOLTAGE
MOTOR - CONDUIT BOX @ 'A'**

**TO REVERSE ROTATION:
INTERCHANGE ANY TWO
LINE LEAD CONNECTIONS.**

TERMINAL BLOCK WHEN SPECIFIED



VIEW OF TERMINAL END

**IF MOTOR HAS
6 LEADS**



A-9806 DECAL

**OPTIONAL CORD
CONNECTION**

- L1 WHITE
- L2 RED
- L3 BLACK

DRAWING REVISION AB	REVISION BY JJB	DATE 06-27-2017
ECO ECO-0125361	APPROVED BY TB	DATE 06-27-2017
ECO DESCRIPTION UPDATED TO CURRENT STANDARDS		
<small>COPYRIGHT REGAL BELOIT AMERICA, INC. ALL RIGHTS RESERVED. PROPRIETARY AND CONFIDENTIAL INFORMATION - THIS DOCUMENT IS THE PROPERTY OF REGAL BELOIT AMERICA, INC. ("OWNER") AND CONTAINS OWNER'S PROPRIETARY INFORMATION. ANY PERSON, CORPORATION OR OTHER FIRM RECEIVING IT IS DEEMED, BY RECEIVING IT, TO AGREE THAT IT, AND/OR ANY PART OF IT, SHALL NOT BE DISCLOSED TO ANY PERSON, CORPORATION OR OTHER ENTITY, DUPLICATED, AND/OR USED, EXCEPT AS EXPRESSLY APPROVED IN WRITING IN ADVANCE BY OWNER. THIS DOCUMENT SHALL BE RETURNED TO OWNER UPON REQUEST. IT MAY BE SUBJECT TO CERTAIN RESTRICTIONS UNDER APPLICABLE EXPORT CONTROL LAWS AND REGULATIONS.</small>		



DRAWN BY DA
DATE 03-26-1993
APPROVED BY TB
DATE 03-26-1993
REFERENCE
THIRD ANGLE PROJECTION

Regal Beloit America, Inc.		
		DESCRIPTION CONNECTION DIAGRAM EXTERNAL - SINGLE VOLTAGE - 3Ø MOTOR
MATERIAL	PROCESS/FINISH	
SIZE A	DRAWING NUMBER EE7300	SHEET 1 OF 1

Data Sheet

Date: 20-06-2017
 Customer: _____
 Attention: _____
 Submitted by: FAREEDA DUDEKULA



145TFR16059

Submittal

Data @ 200 V

Motor Load Data

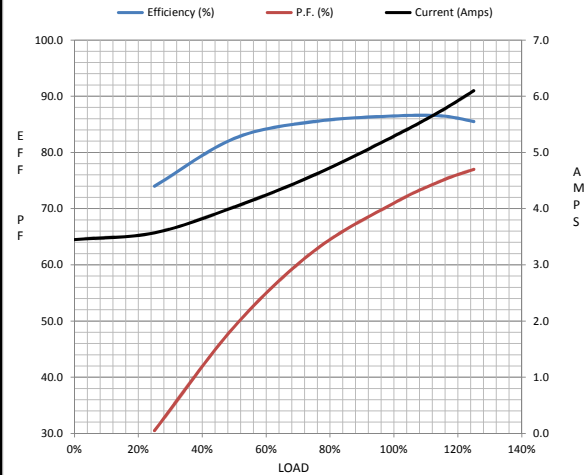
Load	0%	25%	50%	75%	100%	115%	125%	LR
Current (Amps)	3.5	3.6	4.0	4.6	5.3	5.8	6.1	55.2
Torque (ft-lb)	0.00	1.10	2.20	3.5	4.5	5.2	5.7	21.2
RPM	1800	1790	1780	1765	1755	1,750	1745	0
Efficiency (%)		74.0	82.5	85.5	86.5	86.5	85.5	
P.F. (%)	7.5	30.5	49.0	62.5	71.0	75.0	77.0	69.5

Motor Speed Data

	LR	Pull-Up	BD	Rated	Idle
Speed (RPM)	0	130	1190	1755	1800
Current (Amps)	55.2	53.6	36.8	5.3	3.5
Torque (ft-lb)	21.2	20.2	26.0	4.5	0.00

Information Block

HP	1.5			
Sync. RPM	1800			
Frame	145			
Enclosure	TEFC			
Construction	TFR			
Voltage	200 V			
Frequency	60 Hz			
Design	A			
LR Code letter	P			
Service Factor	1.15			
Temp Rise @ FL	35 ° C			
Duty	CONT			
Ambient	40 ° C			
Elevation	1,000 feet			
Rotor/Shaft wk ²	0.14 Lb-Ft ²			
Ref Wdg	ZT4256 FR			
Sound Pressure @ 1M	62 dBA			
VFD Rating	CONSTANT 2:1			
Outline Dwg	A-100133-906			
Conn. Diag	A-EE7300			
Additional Specifications:				
0				
365THFS8036				
EQUIV CKT (OHMS / PHASE)				
R1	R2	X1	X2	Xm
0.9150	0.7150	1.3470	1.3540	35.8420



Speed -Torque Curve

